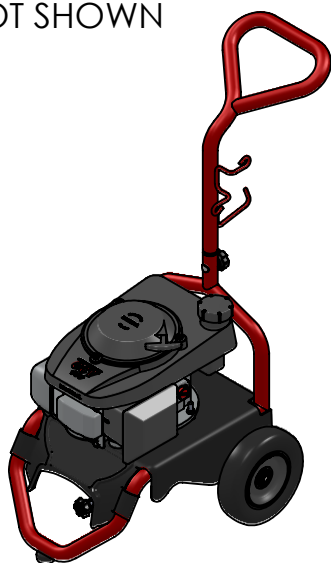


ITEM	PART NO.	DESCRIPTION	QTY.
1	7104033	BASE FRAME, RED	1
2	7104620	PLASTIC COVER WITH LABELS	1
3	7104034	HANDLE ASSY, RED	1
4	100237	HONDA GCV160	1
5	7104357	PUMP, VERTICAL ALUMINUM HEAD, LONG EXTENSIONS	1
5.1	7104232	WATER INLET EXTENSION KIT	1
5.1.1		WATER INLET FILTER	1
5.1.2		HAND-TIGHT NUT	1
5.1.3		WATER INLET EXTENSION	1
5.1.4		O-RING 14 X 1.8	1
5.2	7104228	SOAP INJECTOR KIT	1
5.2.1		INJECTION FITTING	1
5.2.2		O-RING 7.5mm X 1.8mm	1
5.2.3		O-RING 3.55mm X 1.8mm	1
5.2.4		STEEL BALL 3/16IN	1
5.2.5		INJECTOR SPRING	1
5.3	7104233	WATER OUTLET EXTENSION KIT	1
5.3.1		WATER OUTLET EXTENSION	1
5.3.2		O-RING 14mm X 1.8mm	1
5.4	7101359	VALVE, THERMAL RELIEF 1/4 NPT(M)	1
6	7104569	WHEEL KIT, 8-5/8" X 2.50-4 WITH 1/2" PAL NUT	2
6.1		WHEEL, 8-5/8" X 2.50-4 FOAM FILLED	1
6.2		PAL NUT, 1/2"	1
7	7103292	FOOT KIT, .625 X 1.50 O.D. FOOT & 1/4-20 X .75 SCREW	1
7.1		RUBBER FOOT, 1.50IN X .625IN	1
7.2		SCREW, 1/4-20 X .75 TORX PANHEAD	1
8	7104570	HANDLE HARDWARE KIT, SADDLE BOLT AND NUT	1
8.1		BOLT, SADDLE 5/16-18 x 2.00	1
8.2		NUT, HAND TIGHT 5/16-18	1
9	7104203	ENGINE/PUMP HARDWARE KIT	1
9.1		BOLT, HEX HEAD FLANGE 5/16-18 x 2.25	3
9.2		NUT, SERRATED FLANGE 5/16-18	3
10	7104174	DRIVE SHAFT KEY, 3/16" X 1-1/4"	1
11	7104122	CAP, BLACK VINYL 0.625 ID X 1.50	1
12	7103799	GUN, 3200 PSI M22(M)-IN X M22(F)-OUT	1
13	7104095	LANCE, VARIABLE SPRAY	1
14	7102768	HOSE, 1/4IN X 25FT X 3000PSI M22 X M22	1
15	7102037	SOAP HOSE KIT	1
* 16	7102045	TOOL, NOZZLE CLEANING, UNIVERSAL	1
* 17	7104464	MANUAL, OPERATOR'S PW2623C (60538)	1
* 18	7104348	BOX, SHIPPING PW2623C (60538)	1

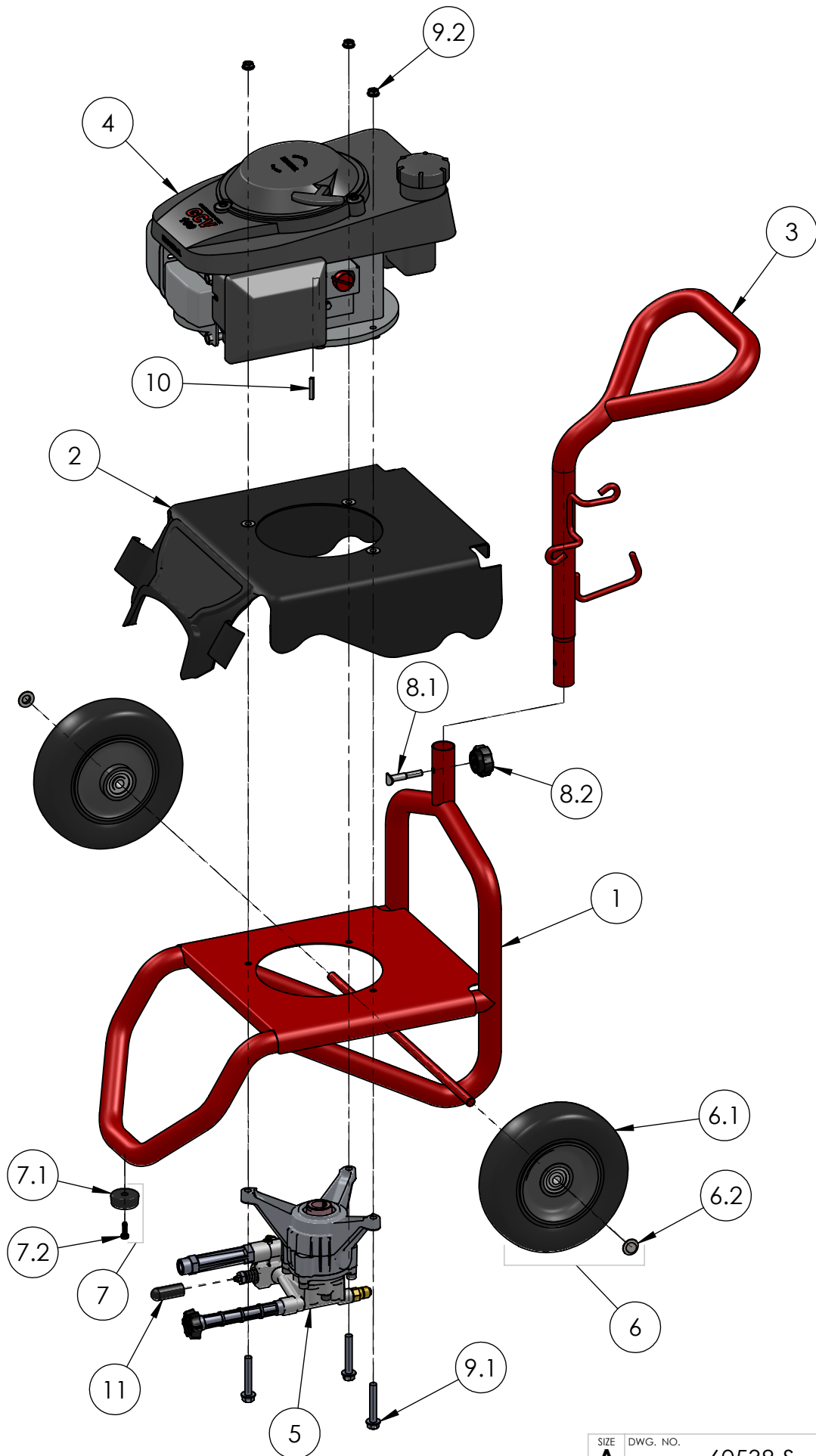
* NOT SHOWN



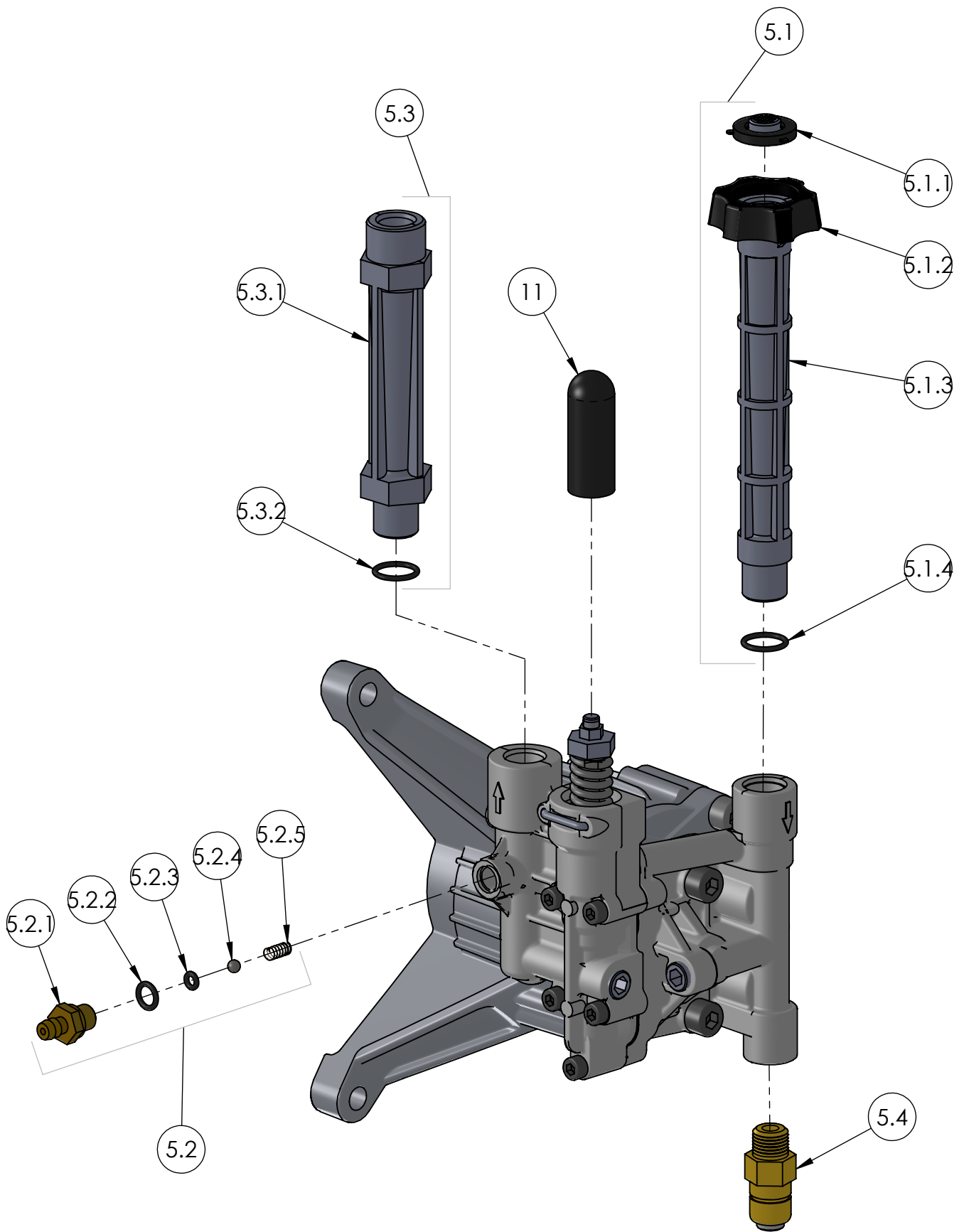
	NAME	DATE
DRAWN	K.A.B.	05/23/2011
CHECKED	K.A.B.	05/24/2011
ENG APPR.	J.E.W.	05/25/2011
MFG APPR.	C.C.	05/31/2011
Q.A. APPR.	J.P.	05/26/2011
SERVICE APPR.	J.R.	05/26/2011

PROPRIETARY AND CONFIDENTIAL
 THE INFORMATION CONTAINED IN THIS DRAWING IS THE SOLE PROPERTY OF FNA-GROUP. ANY REPRODUCTION IN PART OR AS A WHOLE WITHOUT THE WRITTEN PERMISSION OF FNA-GROUP IS PROHIBITED.

FNA-GROUP	
1265 INDUSTRIAL STREET, DECATUR, AR 72722	
TITLE:	
PW2623C	
SIZE	DWG. NO.
A	60538-S
SCALE: N/A	ECN# DC11-0023
REV. A	SHEET 1 OF 4

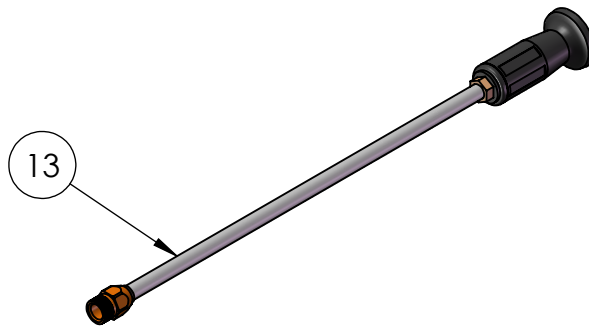


SIZE	DWG. NO.	REV.
A	60538-S	A
SCALE: N/A	ECN# DC11-0023	SHEET 2 OF 4





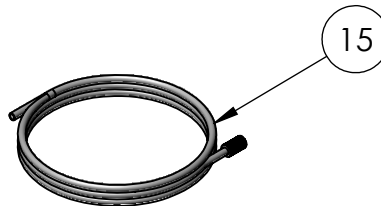
GUN, 3200 PSI M22(M)-IN X M22(F)-OUT
(PART NO. 7103799)



LANCE, VARIABLE SPRAY
(PART NO. 7104095)



HOSE, 1/4IN X 25FT X 3000PSI M22 X M22
(PART NO. 7102768)



SOAP HOSE KIT
(PART NO. 7102037)